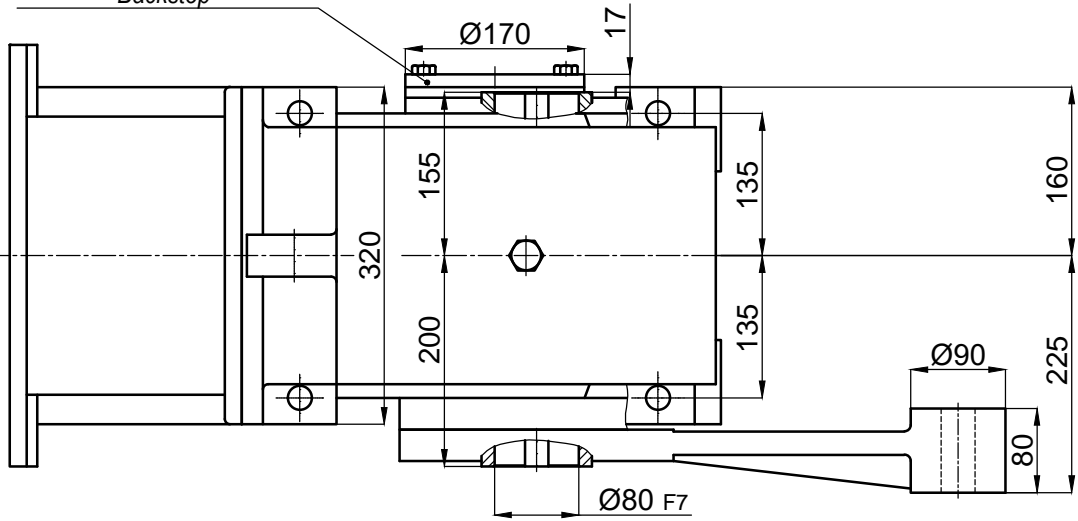



Geridönüş Önleme Kiliti
Backstop



		İsim / Name	Tarih / Date	HELİSEL VE KONİK DİŞLİLİ, MİLE GEÇME, IEC B5 FLANŞLI MOTOR ADAPTÖRLÜ, TORK KOLLU, MOTORSUZ, KİLİTLİ REDÜKTÖR HELICAL-BEVEL GEAR UNITS, SHAFT MOUNTED, WITH IEC B5 MOTOR ADAPTER, WITH TORQUE ARM, WITHOUT MOTOR, WITH BACKSTOP		 Dişsan
Çizen / Drawer	-	-	-	Resim No / Drawing No	DZGN3-160.K21-T1/200	
Kontrol / Control	-	-	-	Malzeme / Material	-	
Onay / Approve	-	-	-	Adet / Quantity	-	