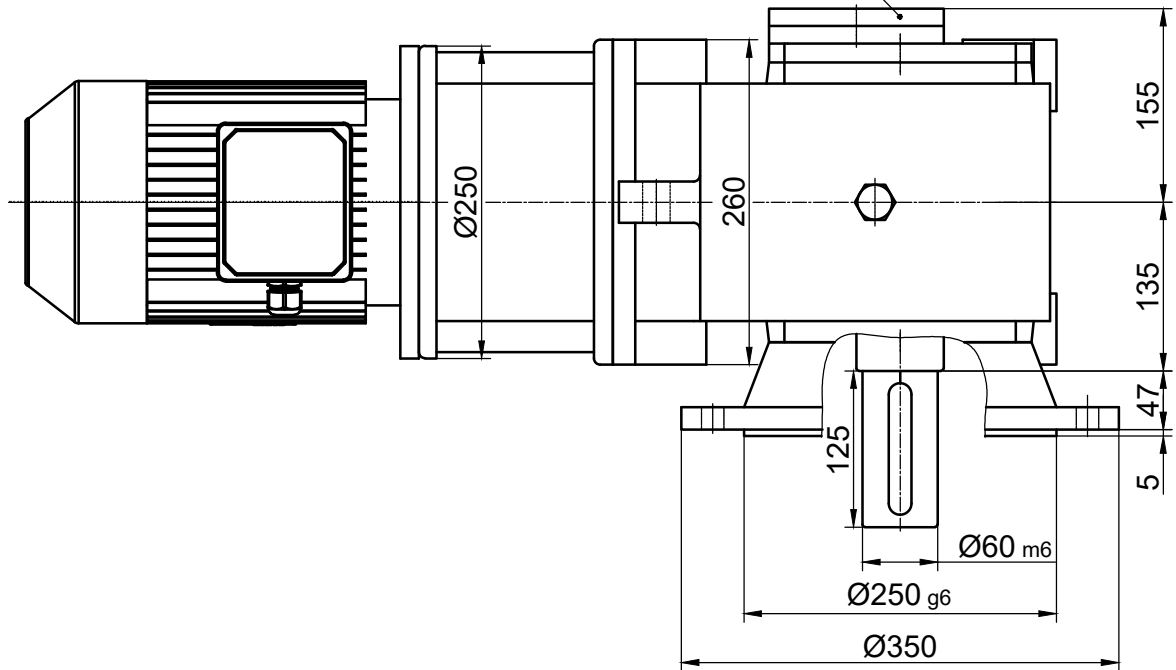


Geridönüş Önleme Kilidi
Backstop



İsim / Name	Tarih / Date	HELİSEL VE KONİK DİŞLİLİ, DOLU MİLLİ, IEC B5 MOTOR ADAPTÖRLÜ, MOTORLU, FLANŞLI REDÜKTÖR HELICAL-BEVEL GEAR UNITS, SOLID OUTPUT SHAFT, WITH IEC B5 MOTOR ADAPTER, FLANGE MOUNTED, WITH MOTOR
Çizen / Drawer		
Kontrol / Control	-	Resim No / Drawing No DZDNMF3-125.K21/100L
Onay / Approve	-	Malzeme / Material - Adet / Quantity -

